

model

# 60610

## SINGLE - POINT MINIATURE LOAD CELL



### FEATURES :

- ❖ Single Point Capability with Minimum Off-centre Error
- ❖ Low Profile Design
- ❖ Capacity as low as 200 gmf. Full Scale.
- ❖ Moisture Proof Sealing.
- ❖ Inbuilt Protecting Bracket

### APPLICATIONS :

- ❖ Precision Jewellery Scales
- ❖ Small Bagging Machines
- ❖ Thread Tension Measurements

### DESCRIPTION :

Model 60610 is a Strain Gage based low profile bending beam Miniature Load Cell and is ideal for Table Top & Jewellery Scales. It is designed for low eccentric load sensitivity. It is provided with mechanical over load & under load protection mechanism.

### PERFORMANCE SPECIFICATION :

<b>Standard Capacities (Gmf.)</b>	: 200, 300, 400, 500, 700
<b>(Kgf.)</b>	: 1, 1.5, 2
<b>Excitation Voltage</b>	: 10 VDC - Maximum 15 VDC
<b>Nominal Output</b>	: 1.6 mV/V
<b>Non-Linearity</b>	: < ± 0.025 % FSO (Full Scale Output)
<b>Hysteresis</b>	: < ± 0.02 % FSO
<b>Non-Repeatability</b>	: < ± 0.01 % FSO
<b>Creep (30 minutes)</b>	: < ± 0.03 % FSO
<b>Zero Balance</b>	: ± 5.0 % FSO
<b>Input Resistance</b>	: 420 ± 15 Ohms
<b>Output Resistance</b>	: 350 ± 3 Ohms
<b>Insulation Resistance</b>	: > 1000 Mega Ohms at 50 VDC
<b>Safe Overload</b>	: 150 % of Rated Capacity
<b>Ultimate Overload</b>	: 200 % of Rated Capacity
<b>Temperature</b>	: 0-60° C
<b>Compensated Range</b>	
<b>Temperature Effect on Output</b>	: < 0.0015 % FSO/ °C
<b>Temperature Effect on Zero</b>	: < 0.0020 % FSO/ °C
<b>Platter Size</b>	: 120 mm dia
<b>Eccentric Load Effect</b>	: < 0.02 % of FSO at 1/3 rated load placed at the edge of the specified size platter
<b>Deflection</b>	: < 0.5 mm at FSO
<b>Construction</b>	: Aluminium Alloy
<b>Mechanical Protection</b>	: Provided with bracket to protect from over load, under load & side load effect

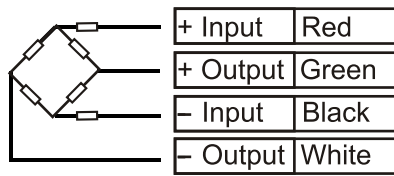


**ADI ARTECH**  
TRANSDUCERS PVT. LTD.

A Joint venture with  
ARTECH INDUSTRIES INC., U.S.A.



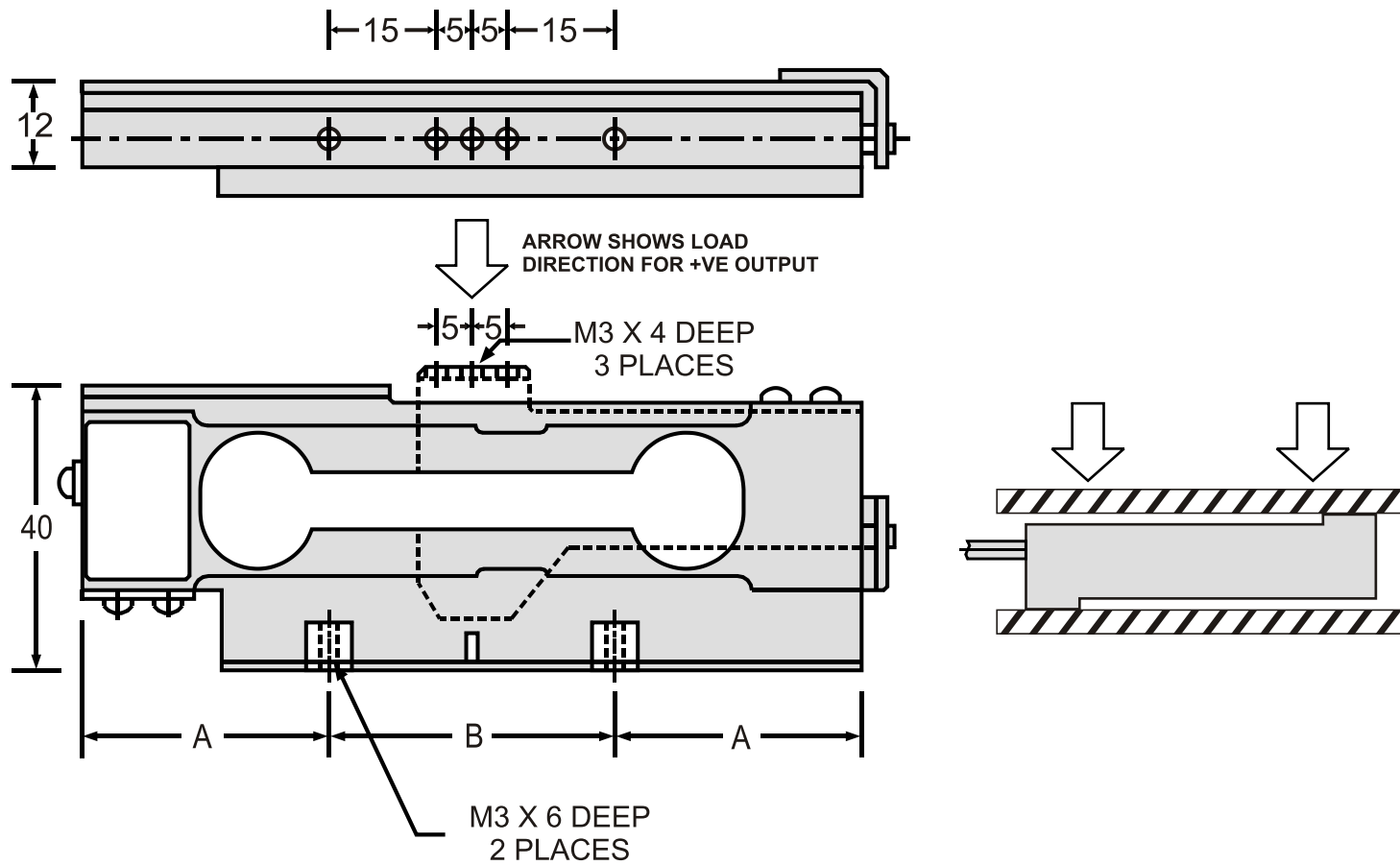
**ELECTRICAL TERMINATION**



CAPACITY	A	B
200 Gmf to 500 Gmf	34.5	40
700 Gmf to 2 Kgf	25	40

All dimensions are in mm.

4 CORE NON SCREENED CABLE - 300 mm.



**SEEGATE CORPORATION**

Swastik House , Building No.382 , 3rd Floor,  
Room No.7 , Near Lamington Road Police  
Station , Grant Road (E) . Mumbai -400007.

Tel - 022-40044443 Mobile - 7021525891 , 797338650

Email - [sales@seegatecorp.com](mailto:sales@seegatecorp.com). Website - [www.seegateloadcell.com](http://www.seegateloadcell.com)