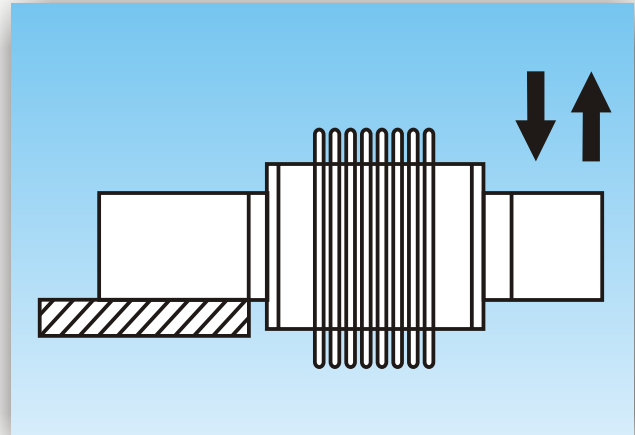
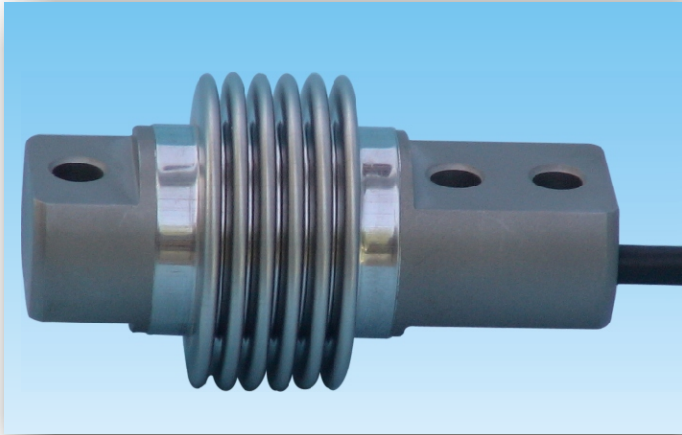


model
50210/50310 BENDING BEAM LOAD CELL



FEATURES :

- ❖ Available in two sizes
- ❖ 10 kgf. to 500 kgf. capacities
- ❖ Low profile
- ❖ Environmentally protected with S. S. Bellow
- ❖ Stainless Steel construction 17-4 PH
- ❖ IP68 environmental protection

DESCRIPTION :

- ❖ 50210/50310 is miniature round bending beam load cell
- ❖ This is available in two different sizes to meet wide industrial requirements
- ❖ It is hermetically sealed with S.S. bellow for IP68 protection class

APPLICATIONS :

- ❖ Floor Scales
- ❖ Bench Scales
- ❖ Tank & Hopper Weighing
- ❖ Auto Bagging Machine
- ❖ Batching & Packaging Machine

PERFORMANCE SPECIFICATION :

Standard Capacities (Kgf.)	50210 : 10,20,40,50,75,100,150,200 50310 : 10,20,50,100,200,500
Excitation Voltage	: 10 VDC - Maximum 15 VDC
Nominal Output	: 2.0 mV/V (Normal)
Non - Linearity	: < ± 0.025 % FSO (Full Scale Output)
Hysteresis	: < ± 0.02 % FSO
Non-Repeatability	: < ± 0.01 % FSO
Creep (30 minutes)	: < ± 0.03 % FSO
Zero Balance	: ± 1.0 % FSO
Input Resistance	: 370 Ohms (Normal)
Output Resistance	: 350 Ohms
Insulation Resistance	: > 1000 Mega Ohms at 50 V DC
Safe Overload	: 150 % of Rated Capacity
Temp. Compensated Range	: 0-60 °C
Temp. Effect on Output	: < 0.0015 % FSO/ °C
Temp. Effect on Zero	: < 0.0020 % FSO/ °C
Deflection	: < 0.5 mm at FSO
Material of Construction	: Stainless Steel -17-4 PH
Environmental Protection Class	: IP68

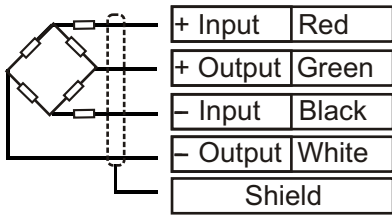


ADI ARTECH
TRANSDUCERS PVT. LTD.

A Joint venture with
ARTECH INDUSTRIES INC., U.S.A.



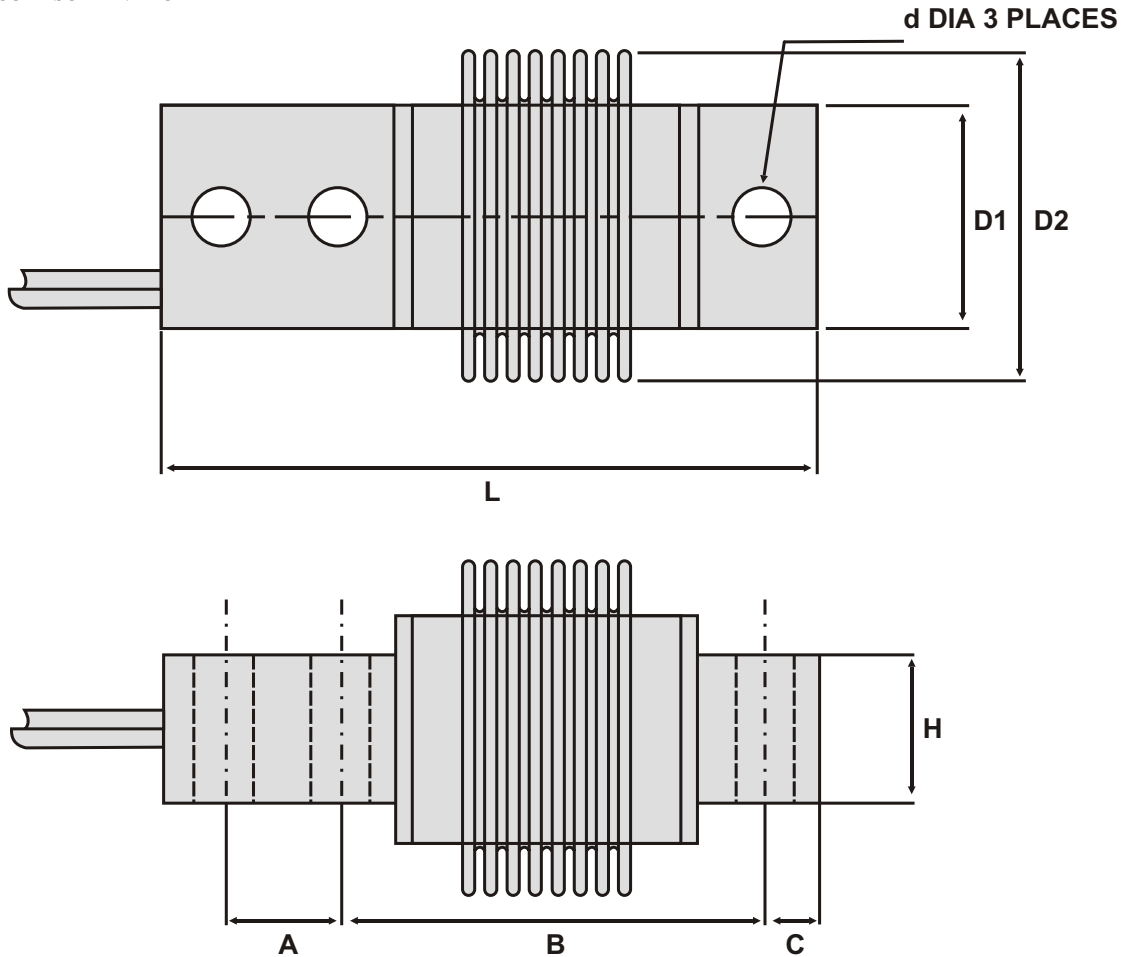
ELECTRICAL TERMINATION



4 CORE SCREENED CABLE

Type	A	B	C	d	D1	D2	H	L
50210	12.5	46	6	6.4	25	36	16	71
50310	18	82	10	8.2	29.5	45	20	120

All dimensions are in mm.



SEEGATE CORPORATION

Swastik House , Building No.382 , 3rd Floor,
Room No.7 , Near Lamington Road Police
Station , Grant Road (E) . Mumbai -400007.

Tel - 022-40044443 Mobile - 7021525891 , 797338650

Email - sales@seegatecorp.com. Website - www.seegateloadcell.com