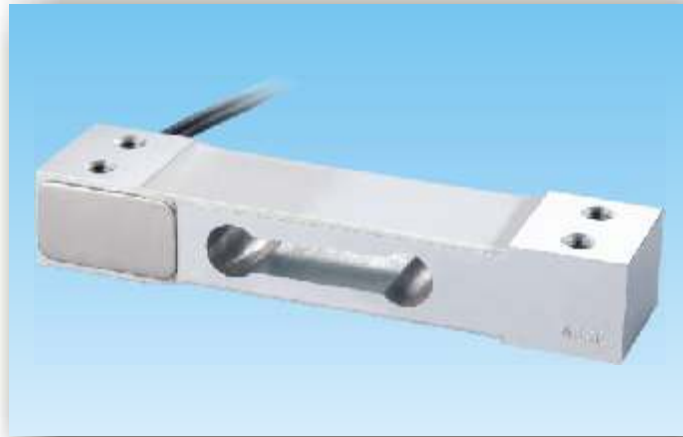


model

60710

SINGLE - POINT TABLE TOP LOAD CELL



FEATURES :

- ❖ Single Point Off-centre Load Measuring Capability
- ❖ Economical and Low Profile Cell

APPLICATIONS :

- ❖ Bench, Counting & Postal Scales
- ❖ Check Weighers

DESCRIPTION :

This is an economical Load Cell meant for off-centre loading applications. It is used in bench, counting and postal Scales. It is Strain Gage based Cell constructed from Aluminium Alloy for better sensitivity.

PERFORMANCE SPECIFICATION :

Standard Capacities (Kgf.)	: 3, 6, 10, 15, 20, 30, 40, 60
Excitation Voltage	: 10 VDC - Maximum 15 VDC
Nominal Output	: 2.0 mV/V
Non-Linearity	: < ± 0.025 % FSO (Full Scale Output)
Hysteresis	: < ± 0.02 % FSO
Non-Repeatability	: < ± 0.01 % FSO
Creep (30 minutes)	: < ± 0.03 % FSO
Zero Balance	: ± 1.0 % FSO
Input Resistance	: 400 ± 15 Ohms
Output Resistance	: 350 ± 5 Ohms
Insulation Resistance	: > 1000 Mega Ohms at 50 VDC
Safe Overload	: 150% of Rated Capacity
Ultimate Overload	: 200% of Rated Capacity
Temperature	: 0-60° C
Compensated Range	
Temperature Effect on Output	: < 0.0015 % FSO/ °C
Temperature Effect on Zero	: < 0.0020 % FSO/ °C
Platter Size	: 300 x 300 mm
Eccentric Load Effect	: < 0.02 % of FSO at 1/3 rated load placed within 150mm radius from the center of load cell.
Deflection	: < 0.5 mm at FSO
Tightening Torque	: 1.5 m. kg.
Construction	: Aluminium Alloy

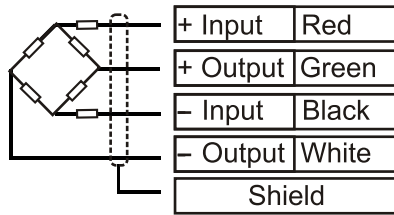


ADI ARTECH
TRANSDUCERS PVT. LTD.

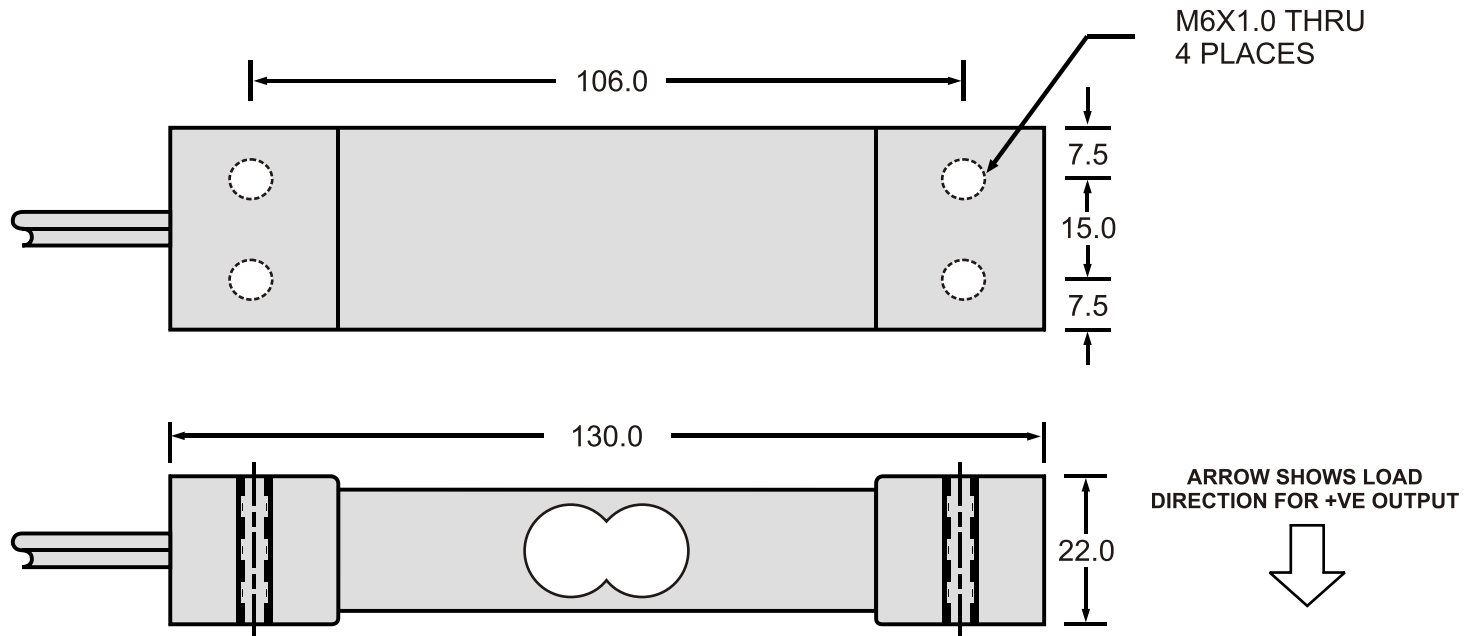
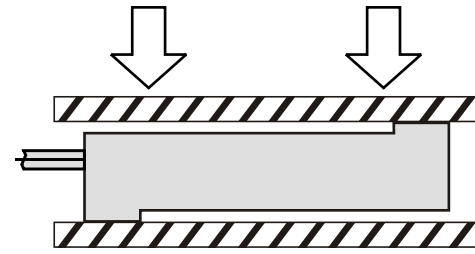
A Joint venture with
ARTECH INDUSTRIES INC., U.S.A.



ELECTRICAL TERMINATION



4 CORE SCREENED CABLE - 0.5 mtrs.



All dimensions are in mm.



SEEGATE CORPORATION

Swastik House , Building No.382 , 3rd Floor,
Room No.7 , Near Lamington Road Police
Station , Grant Road (E) . Mumbai -400007.

Tel - 022-40044443 Mobile - 7021525891 , 797338650

Email - sales@seegatecorp.com. Website - www.seegateloadcell.com