

model

70210

DOUBLE ENDED SHEAR BEAM LOAD CELL



FEATURES :

- ❖ 2.5 Tonf to 100 Tonf Capacities
- ❖ Environmentally Protected
- ❖ Optional Weigh Module Hardware-WM-II for Tank Scales Provided

APPLICATIONS :

- ❖ Tensile Testing
- ❖ Force Measurement
- ❖ Crane Scale
- ❖ Tank and Hopper Weighing

DESCRIPTION :

Model 70210 is Strain Gage based Double Ended Shear Beam Load Cell and is ideal for low profile truck scales, tank and track scales. The Load Cell is constructed of High Alloy Tool Steel for repeatability and used in areas where shock, ruggedness and over loading situations exist. The gauge areas are environmentally protected with a thick waterproof seal and metal plates. Load Cells are supplied with an integral minimum 10 meter cable.

PERFORMANCE SPECIFICATION :

Standard Capacities (Tf.)	: 2.5, 5, 10, 20, 25, 30, 50, 75, 100
Excitation Voltage	: 10 VDC - Maximum 15 VDC
Nominal Output	: 3.0 mV/V
Non-Linearity	: < ± 0.025 % FSO (Full Scale Output)
Hysteresis	: < ± 0.02 % FSO
Non-Repeatability	: < ± 0.01 % FSO
Creep (30 minutes)	: < ± 0.03 % FSO
Zero Balance	: ± 1.0 % FSO
Input Resistance	: 770 ± 20.0 Ohms
Output Resistance	: 700 ± 7.0 Ohms
Insulation	: > 1000 Mega Ohms at 50 VDC
Safe Overload	: 150 % of Rated Capacity
Ultimate Overload	: 300 % of Rated Capacity
Allowable Side Load	: 50 % of Rated Capacity
Side Load Discrimination	: 500:1
Temperature	: 0-60° C
Compensated Range	
Temperature Effect on Output	: < 0.0015 % FSO/ °C
Temperature Effect on Zero	: < 0.0020 % FSO/ °C
Deflection	: < 0.5 mm at FSO
Tightening Torque	: 10 m. kg.
Construction	: Electroless Nickel Plated Tool Steel
Environmental Protection Class	: IP68

Provided with surge protection from transient over voltage caused by lightning and power supply faults

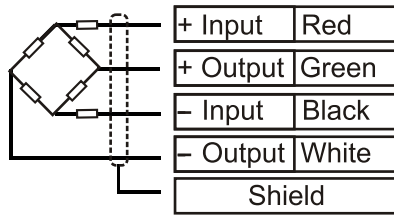


ADI ARTECH
TRANSDUCERS PVT. LTD.

A Joint venture with
ARTECH INDUSTRIES INC., U.S.A.



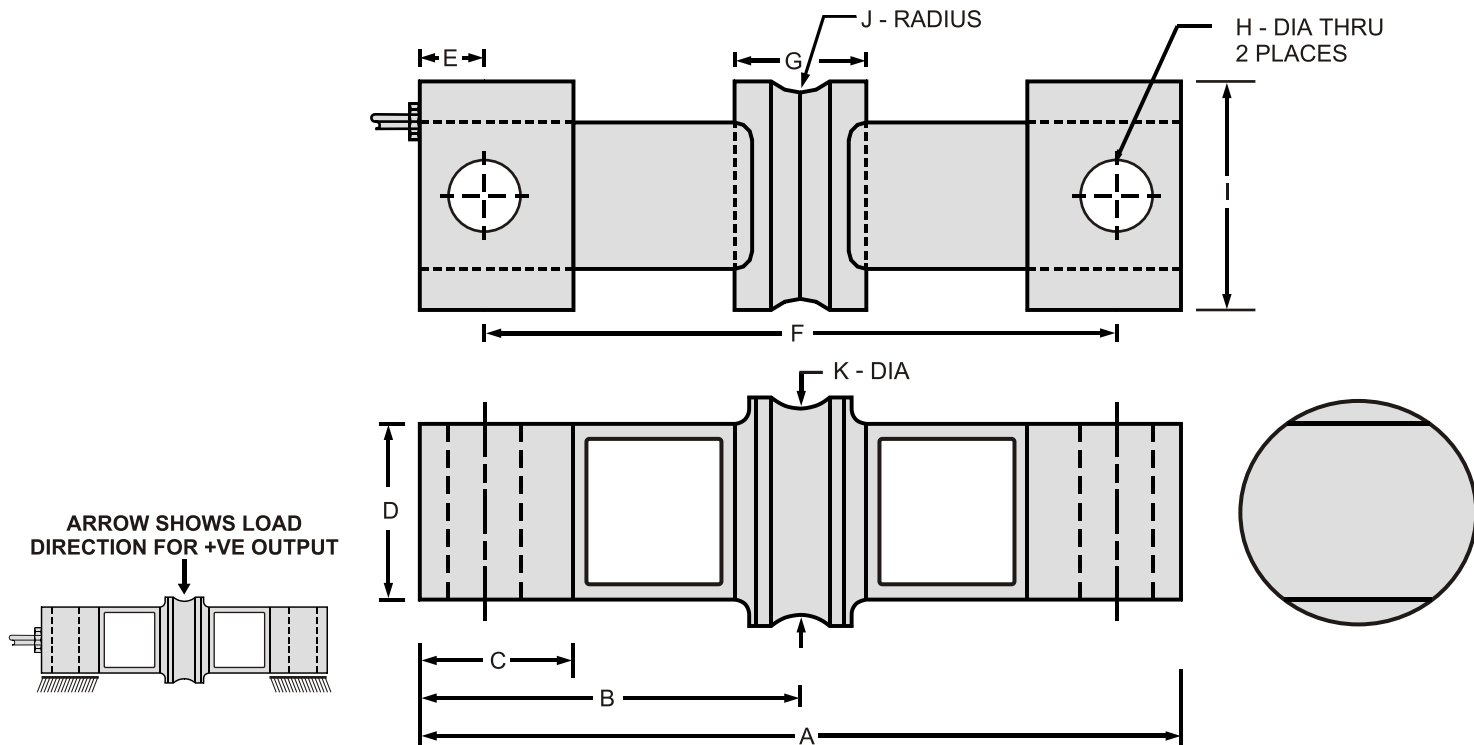
ELECTRICAL TERMINATION



4 CORE SCREENED CABLE

CAPACITY Tf	A	B	C	D	E	F	G	H	I	J	K	Cable mtrs.
2.5 to 10	206	103	36	28	15.5	175	25	17	45	12.5	38	10
20 to 30	260	130	47	60	22.0	216	35	25	78	25	70	20
50 to 75	285	143	47	63.5	22.0	241	35	25	88	25	80	20
100	410	205	77	117	40.0	330	45	37	136	50	128	20

All dimensions are in mm.



SEEGATE CORPORATION

Swastik House , Building No.382 , 3rd Floor,
Room No.7 , Near Lamington Road Police
Station , Grant Road (E) . Mumbai -400007.

Tel - 022-40044443 Mobile - 7021525891 , 797338650

Email - sales@seegatecorp.com. Website - www.seegateloadcell.com