



ADI ARTECH TRANSDUCERS (P) LTD

A Joint venture with ARTECH INDUSTRIES INC., U.S.A
917/1, G.I.D.C. Estate, Makarpura Vadodara - 390 010. Gujarat, India.
Ph: +91 265 2655083, 2651023 Fax: +91 265 2638751
Email: sales@adiartech.com

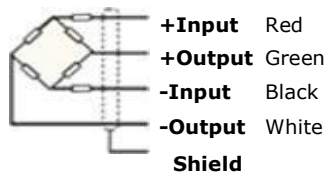
Model : 70410-1
Capacity : 2,5,10 Tf



SPECIFICATIONS:

- ❖ Standard Capacity : 2,5,10 Tf
- ❖ Excitation : 10VDC
- ❖ Nominal Output : 2.0 mV/V
- ❖ Accuracy : $<\pm 0.5\%$ of FSO (Full Scale Output)
- ❖ Non - Linearity : $<\pm 0.1\%$ of FSO
- ❖ Hysteresis : $<\pm 0.15\%$ of FSO
- ❖ Repeatability : $<\pm 0.1\%$ of FSO
- ❖ Creep (30 Minutes) : $<\pm 0.02\%$ of FSO
- ❖ Temperature Effect on Zero : $\pm 0.025\%$ of FSO/10°C
- ❖ Temperature Effect on Output : $\pm 0.025\%$ of FSO/°C
- ❖ Input Resistance : 700 ± 15 Ohms
- ❖ Output Resistance : 700 ± 5 Ohms
- ❖ Compensated Temp. Range : 0 – 60°C
- ❖ Operating Temperature : 0 – 60°C
- ❖ Safe Overload : 150% Of FSO
- ❖ Ultimate Overload : 300% Of FSO
- ❖ Material : Electroless Nickel Plated Tool Steel
- ❖ Environment Protection Class : Meets IP 67

Electrical Termination



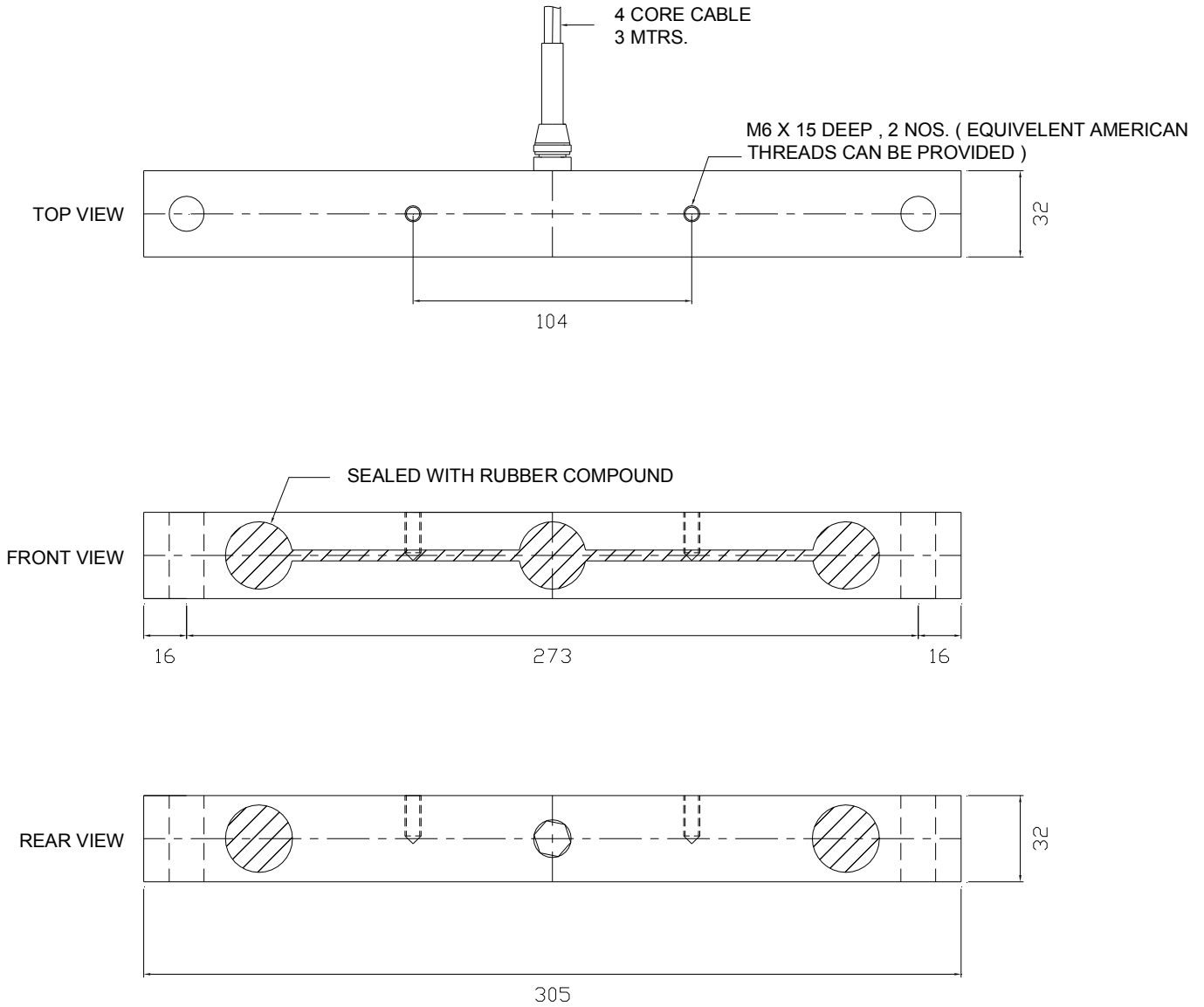
Specifications are subject to be changed without notice





ADI ARTECH TRANSDUCERS (P) LTD

A Joint venture with ARTECH INDUSTRIES INC., U.S.A
917/1, G.I.D.C. Estate, Makarpura Vadodara - 390 010. Gujarat, India.
Ph: +91 265 2655083, 2651023 Fax: +91 265 2638751
Email: sales@adiartech.com



ALL DIMENSIONS ARE IN MM



SEEGATE CORPORATION

Swastik House , Building No.382 , 3rd Floor,
Room No.7 , Near Lamington Road Police
Station , Grant Road (E) . Mumbai -400007.

Tel - 022-40044443 Mobile - 7021525891 , 797338650

Email - sales@seegatecorp.com. Website - www.seegateloadcell.com