

# model 90210/90310 **COMPRESSION LOAD CELL**



## FEATURES :

- ❖ 5 Tf to 100 Tf
- ❖ Multicolumn Construction
- ❖ Hermetically Sealed - IP 68
- ❖ **Linearised version - 90310 - is available with accuracy better than 0.025% of Full Scale Output**

## APPLICATIONS :

- ❖ Truck Scale
- ❖ Tank Weighing
- ❖ Hopper Weighing
- ❖ Compressive Force Testing
- ❖ Industrial Automation

## DESCRIPTION :

Model 90210/90310 is a Strain Gage based, multicolumn compression type of Load Cell. It is hermetically sealed to provide better environmental protection. The cell is recommended for tank, truck, track and hopper type industrial applications. The cell is supplied with an integral 20 meter cable.

## PERFORMANCE SPECIFICATION :

<b>Standard Capacities (Tonf.)</b>	: 5,7.5, 10, 15, 20, 23, 30, 45, 75, 100
<b>Excitation Voltage</b>	: 20 VDC
<b>Nominal Output</b>	: 2.0 mV/V
<b>Non-Linearity</b>	: <b>90210</b> - <math>\pm 0.15\%</math> FSO (Full Scale Output) <b>90310</b> - <math>\pm 0.025\%</math> FSO
<b>Hysteresis</b>	: <math>\pm 0.03\%</math> FSO
<b>Non-Repeatability</b>	: <math>\pm 0.02\%</math> FSO
<b>Creep (30 minutes)</b>	: <math>\pm 0.03\%</math> FSO
<b>Zero Balance</b>	: $\pm 1.0\%$ FSO
<b>Input Resistance</b>	: $450 \pm 2.0$ Ohms
<b>Output Resistance</b>	: $480 \pm 3.0$ Ohms
<b>Insulation Resistance</b>	: > 1000 Mega Ohms at 50 VDC
<b>Safe Overload</b>	: 150 % of Rated Capacity
<b>Ultimate Overload</b>	: 300 % of Rated Capacity
<b>Allowable Side Load</b>	: 10 % of Rated Capacity
<b>Temperature</b>	: 0-60° C
<b>Compensated Range</b>	
<b>Temperature Effect on Output</b>	: <math>< 0.0015\%</math> FSO/°C
<b>Temperature Effect on Zero</b>	: <math>< 0.0020\%</math> FSO/°C
<b>Deflection</b>	: <math>< 0.4\text{ mm}</math> of rated load
<b>Finish</b>	: Epoxy Enamel
<b>Environmental Protection Class</b>	: IP68



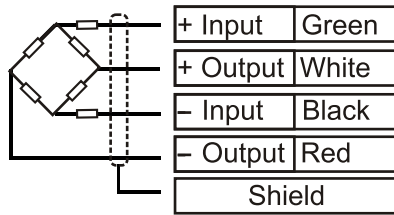
**ADI ARTECH**  
TRANSDUCERS PVT. LTD.

A Joint venture with  
ARTECH INDUSTRIES INC., U.S.A.

Provided with surge protection from transient over voltage caused by lightning and power supply faults



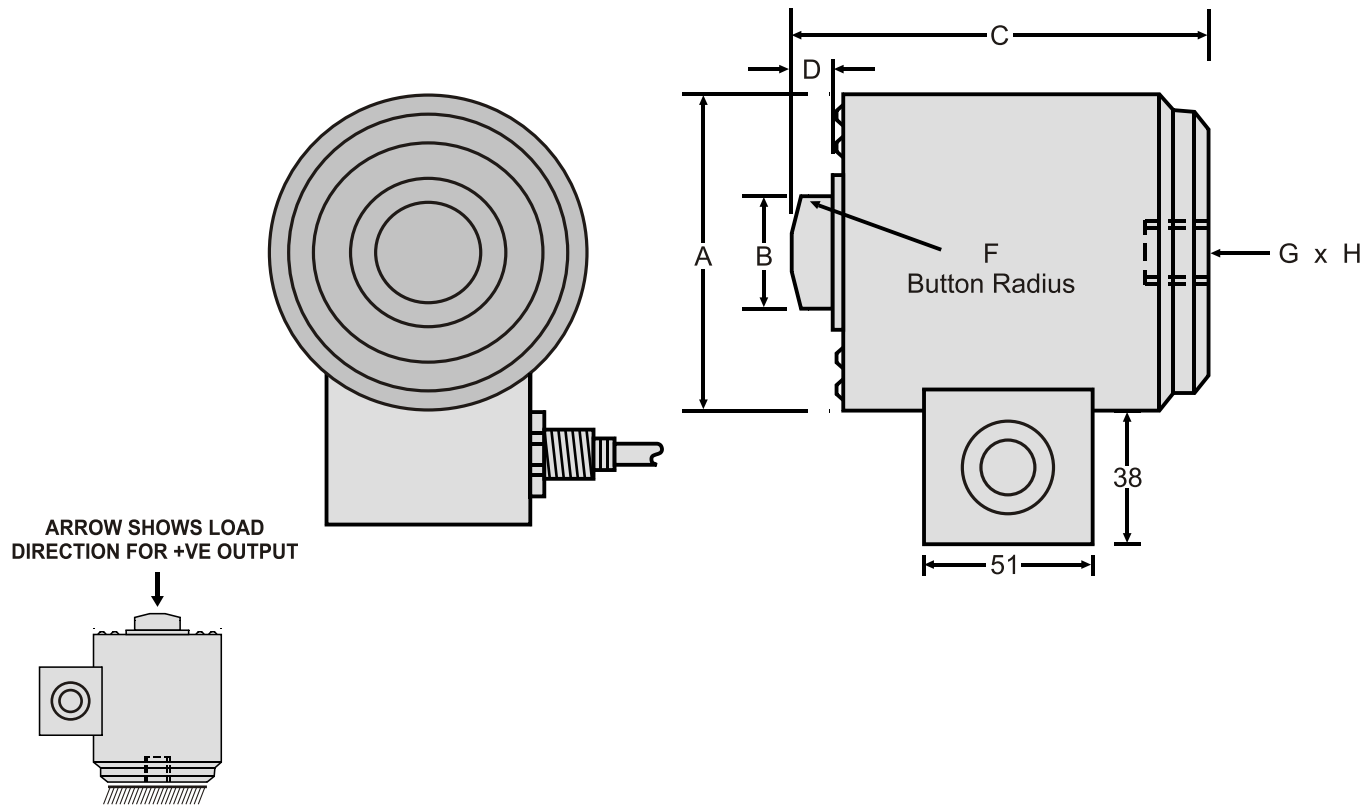
**ELECTRICAL TERMINATION**



**4 CORE SCREENED CABLE**

CAPACITY Tf	A	B	C	D	E	F	G	H	Cable mtrs
5 to 30	73	32	82	8	39	150	M12 x 1.25	8	20
45	114	58	127	12.5	62	150	M20 x 1.50	14	20
75, 100	140	80	184	26	87	430	M20 x 1.50	19	20

All dimensions are in mm.



## SEEGATE CORPORATION



Swastik House , Building No.382 , 3rd Floor,  
Room No.7 , Near Lamington Road Police  
Station , Grant Road (E) . Mumbai -400007.

Tel - 022-40044443 Mobile - 7021525891 , 797338650

Email -[sales@seegatecorp.com](mailto:sales@seegatecorp.com). Website - [www.seegateloadcell.com](http://www.seegateloadcell.com)