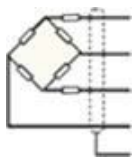
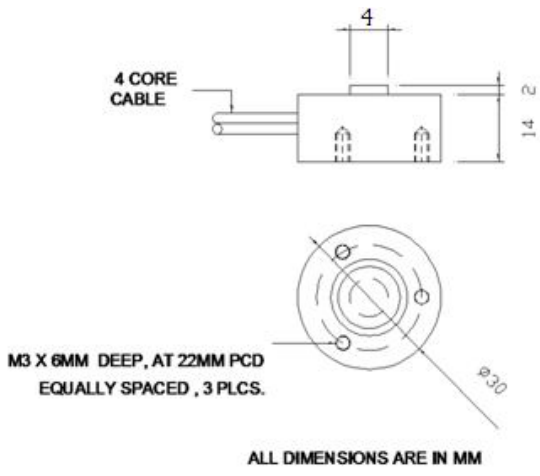
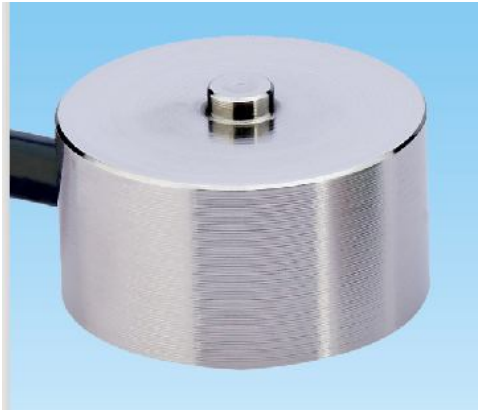


Description

90610-M-T Mini Pan cake compression type load cell used where space is constraint. It is constructed from Stainless Steel 17-4 PH suitable for harsh and hygienic industrial applications. It is provided 3 mounting threaded hole for proper fixing of cell.

Features											
❖ Available in capacity 200, 500, 1500, 2000, 2500, 3000 kgf											
❖ Complete environment protection IP 65 class.											
❖ Standard output 2.0mV/V											
❖ Hardened Stainless Steel construction.											
Applications											
Compression Testing	Force & Impact Testing										
Robotics	Pharma Machinery										
Test Bench	Automation										
Performance Specification											
Standard Capacities	200, 500, 1000, 1500, 2000, 2500, 3000 kgf										
Excitation Voltage	10 VDC- Maximum 15 VDC										
Nominal Output	2.0 m V/ V										
Non - Linearity	< ±0.1% FSO										
Hysteresis	< ±0.1% FSO										
Non-Repeatability	< ±0.1% FSO										
Creep (30 minutes)	< ±0.03% FSO										
Zero Balance	±1.0% FSO										
Input Resistance	390 ± 10 Ohms										
Output Resistance	350 ± 3 Ohms										
Insulation Resistance (50 VDC)	> 1000 Mega Ohms										
Cable Length (4 Core Screened)	1 Meters										
Safe Overload of Rated Capacity	150%										
Ultimate Overload of Rated Capacity	250%										
Temp. Compensated Range	0-60 °C										
Temperature Effect on Output	< 0.005% FSO/ °C										
Temperature Effect on Zero	< 0.005% FSO/ °C										
Deflection	< 0.4 mm at FSO										
Finish & Construction	Stainless Steel 17-4 PH										
Environmental Protection Class	IP 65										
Electrical Termination											
	<table border="1"> <tr> <td>+Input</td> <td>Red</td> </tr> <tr> <td>+Output</td> <td>Green</td> </tr> <tr> <td>-Input</td> <td>Black</td> </tr> <tr> <td>-Output</td> <td>White</td> </tr> <tr> <td>Shield</td> <td></td> </tr> </table>	+Input	Red	+Output	Green	-Input	Black	-Output	White	Shield	
+Input	Red										
+Output	Green										
-Input	Black										
-Output	White										
Shield											



SEEGATE CORPORATION

Swastik House , Building No.382 , 3rd Floor,
Room No.7 , Near Lamington Road Police
Station , Grant Road (E) . Mumbai -400007.

Tel - 022-40044443 Mobile - 7021525891 , 797338650

Email -sales@seegatecorp.com. Website - www.seegateloadcell.com

