

# Seegate Corporation

## MD803-M

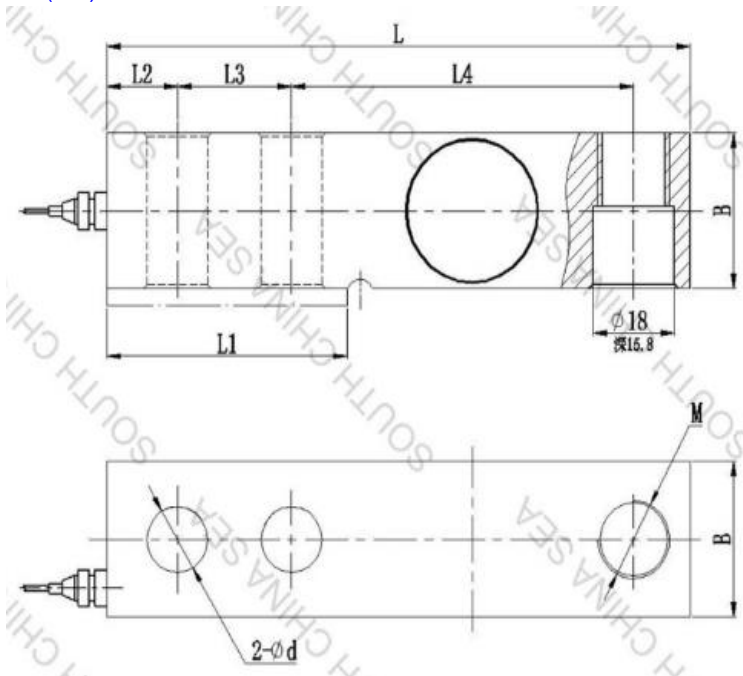
**Rated load(t):**0.5, 1, 2

**Main features:**Alloy steel structure; bellows hermetically sealed by laser, nickel plated, waterproof and anti-corrosion, suitable for multiform environments; suitable for electronic platform scales, hopper scales, and other electronic weighing devies.

**Parameters:**

Precision : C2	Temp. effect on span(%F.S/10°C): ±0.03
Comprehensive error(%F.S) : ±0.02	Temp. effect on zero(%F.S/10°C): ±0.02
Rated output(mv/v) : 3.0±0.003	Compensated temp. range(°C) : -10~+40
Creep(%F.S/30min) : ±0.02	Use temp. range(°C) : -20~+55
Zero balance(%F.S) : ±1.0	Excitation voltage(V) : 9~12(DC)
Input resistance(Ω) : 350±5	Safe overload (%F.S) : 150
Output resistance(Ω) : 350±5	Ultimate overload (%F.S) : 200
Insulation resistance(MΩ) : ≥5000(100VDC)	Defend grade: IP65

**Installation size (mm):**



Rated load(kg)	L (mm)	L1 (mm)	L2 (mm)	L3 (mm)	L4 (mm)	d (mm)	B (mm)	M (mm)
500-2000	130	53.5	15.8	25.4	76.2	13	31.8	M16×2

**Wiring schematic diagram:**

Red: Input ( + ) White: Output ( - )  
 Black: Input ( - ) Green: Output ( + )

Notes: It used 4-core shielded cable(φ5×3000mm)

**Load instruction:**

